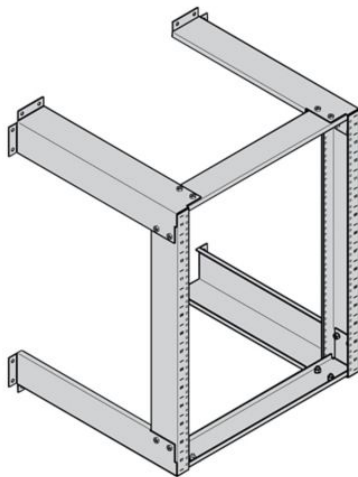


Eaton SB704192524TG

Catalog Number: SB704192524TG

Eaton B-Line series open frame racks, Aluminum uprights and steel extension brackets, Telco gray powder coat, Wall-mounted network equipment rack, #12-24 panel mount holes, Heavy duty, 19" Panel mount

General specifications



Product Name	Catalog Number
Eaton B-Line series open frame racks	SB704192524TG
UPC	Product Length/Depth
799038233138	24 in
Product Height	Product Width
25.5 in	20.5 in
Product Weight	Certifications
20 lb	Not Applicable

Product specifications

Model

Wall-mounted network equipment rack. Heavy duty, 19" Panel mount

Material

Aluminum & steel

Finish

Telco gray powder coat

Resources

Brochures

[RCM and RCM+ brochure](#)

Specifications and datasheets

[Eaton Specification Sheet - SB704192524TG](#)



Eaton Corporation plc
Eaton House
30 Pembroke Road
Dublin 4, Ireland
Eaton.com

© 2023 Eaton. All Rights Reserved.

Eaton is a registered trademark.

All other trademarks are property of their respective owners.



[Eaton.com/socialmedia](https://www.eaton.com/socialmedia)